

LENOVA

4580 W Roosevelt Rd Hillside, IL 60162 www.Lenovasinks.com Phone: 877-733-1098

Special Design Patent “PermaClean Drain System”

SPECIFICATIONS

MODEL PC-SS-12Ri-S22

GENERAL

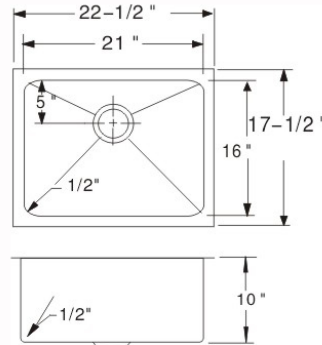
Fine quality sink formed of heavy duty 16 gauge, type 304 nickel bearing stainless steel.

DESIGN FEATURES

Bowl depth 10” with inside bowl dimensions 16” X21”, and over all 22-1/2” X 17-1/2”.

Finish: Inside bowl surfaces polished to a uniform satin finish.

Underside: High density sound absorption pads covered with a thick rubberized insulation layer on all bottom surfaces.



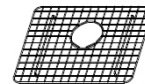
cUPC certified

Minimum cabinet size 24”

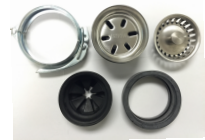
Product shall be specified as PC-SS-12Ri-S22



A-CB-01



G0S3



ACCESSORIES:

1. The waste king adapter (for Waste King Garbage Disposal) is sold separately by request. List price for the waste king adapter is \$7.
2. The PermaClean Drain Kits (except waste king adapter), \$65 value, comes with the PermaClean Sink at no cost.

OPTIONAL ACCESSORIES:

Stainless Steel Grids: G0S3 Bamboo Cutting Board: A-CB-01

Warranty:

Limited Life Time warranty against manufacturer defects and craftsmanship.

Codes/Standards Applicable:

ASME A112.19.3/CSA B45.4

*Template and mounting clips are packed with every sink