

Single Hole Single Handle Lavatory faucet B484SPC/B484SBN

Apogee Faucets reserves the right to make modification and specification changes at any time. Please verify dimensions prior to installation.

**Features & Benefits**

- Top quality durable solid brass construction.
- Top quality durable ceramic disc valves exceed the industry longevity standards two times for a lifetime of durable performance.
- Elegant timeless style design.
- Single lever control for ease of operation.
- For single hole configurations.



**Codes and Standards**

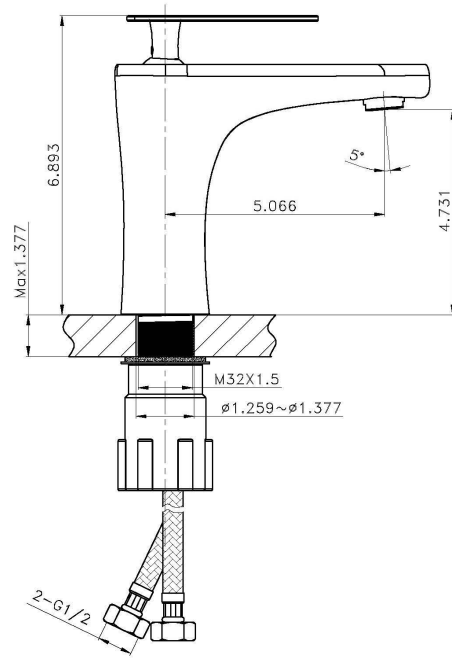
These products meet or exceed the following codes and standards:

- ANSI A117,1
- ASME A112.18.1
- CSA B-125
- NSF 61/SECTION 9 & ANNEX G
- AB1953

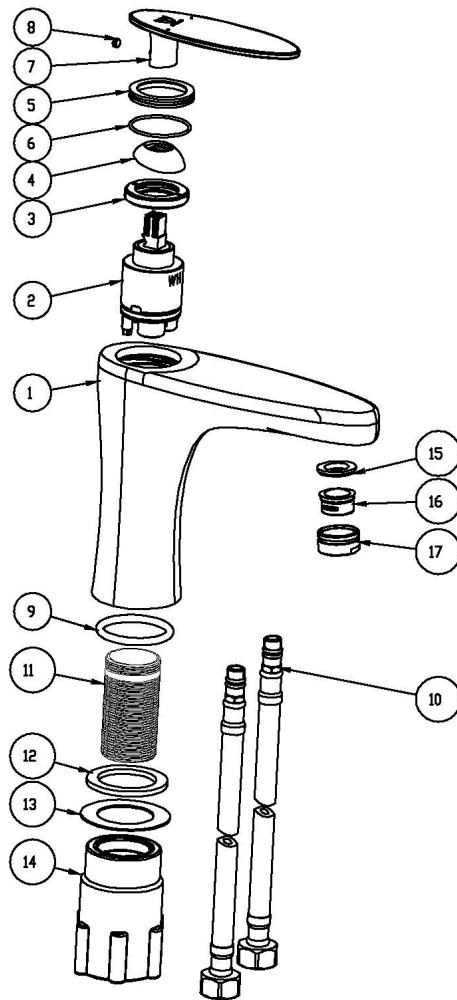
**Specified Model & Finish**

Model #	Description	Finish
B484SPC	Single Lever Handle Single Hole Lavatory Faucet	Polished Chrome
B484SBN	Single Lever Handle Single Hole Lavatory Faucet	Brushed Nickel

# Product Diagram



# Parts Explore



17	Aerator holder	1
16	Aerator	1
15	washer	1
14	ABS Lock nut	1
13	white washer (52x33x1)	1
12	washer (46.5x33x3)	1
11	Lock Screw	1
10	SS Braided hose L=600	2
9	O-ring	1
8	Nail M5, L=4	1
7	Handle	1
6	O-ring	1
5	Decorative ring	1
4	Cup	1
3	Cover	1
2	35# Cartridge	1
1	Main Body	1