

# LENOVA

4580 W Roosevelt Rd Hillside, IL 60162 [www.Lenovasinks.com](http://www.Lenovasinks.com) Phone: 877-733-1098

## SPECIFICATIONS

## MODEL PU-911ADA

### GENERAL

Fine quality bathroom square sink formed of vitreous china

### DESIGN FEATURES

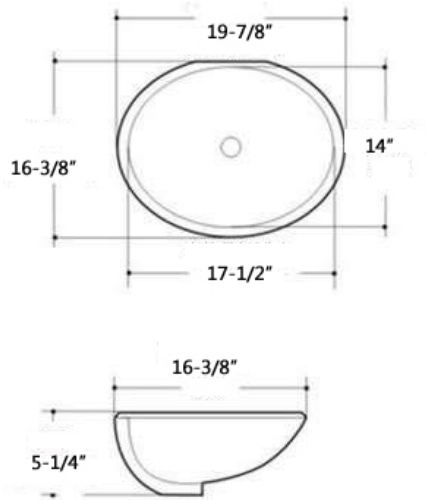
Single bowl depth 5-1/4" with inside bowl dimensions 17-1/2" X14" and over all 19-7/8" X 16-3/8"

ADA Compliant and beautiful glaze finish on the bottom of the bowl.

**Color:** White

**Mount Style:** Undermount

**Other:** Drain opening 1-3/4".



ADA Compliant



CUPC certified

Product shall be specified as PU-911WADA

### Warranty:

Limited Life Time warranty against manufacturer defects and craftsmanship.

### Codes/Standards Applicable:

ASME A112.19.2 ASME A112.19.14/CSA B45.1

\*Template and mounting clips are packed with every sink