

LENOVA[®]

Ozone Specification File



Issued by : Aqualogic NT 10/11/15

Aqualogic by Lenova

Ozone Faucet

Aqualogic Faucets reserves the right to make modification and specification changes at any time. Please verify dimensions prior to installation.

Aqualogic Product Code : AQU-ZON-DOM-101CH / AQU-ZON-DOM-101BN

Features & Benefits

Ozone Swan Neck Kitchen Faucet.

Ozone Faucet delivers point of use Ozone water to destroy bacteria and pesticides.

Elegant timeless style design.

Top quality durable Brass Construction.

Spout features patented Ozone Mixing Chamber.

Flexible swivel spout.

Codes and Standards

These products meet or exceed the following codes and standards:

ANSI A117,1

ASME A112.18.1

CSA B-125

NSF 61/SECTION 9 & ANNEX G

AB1953

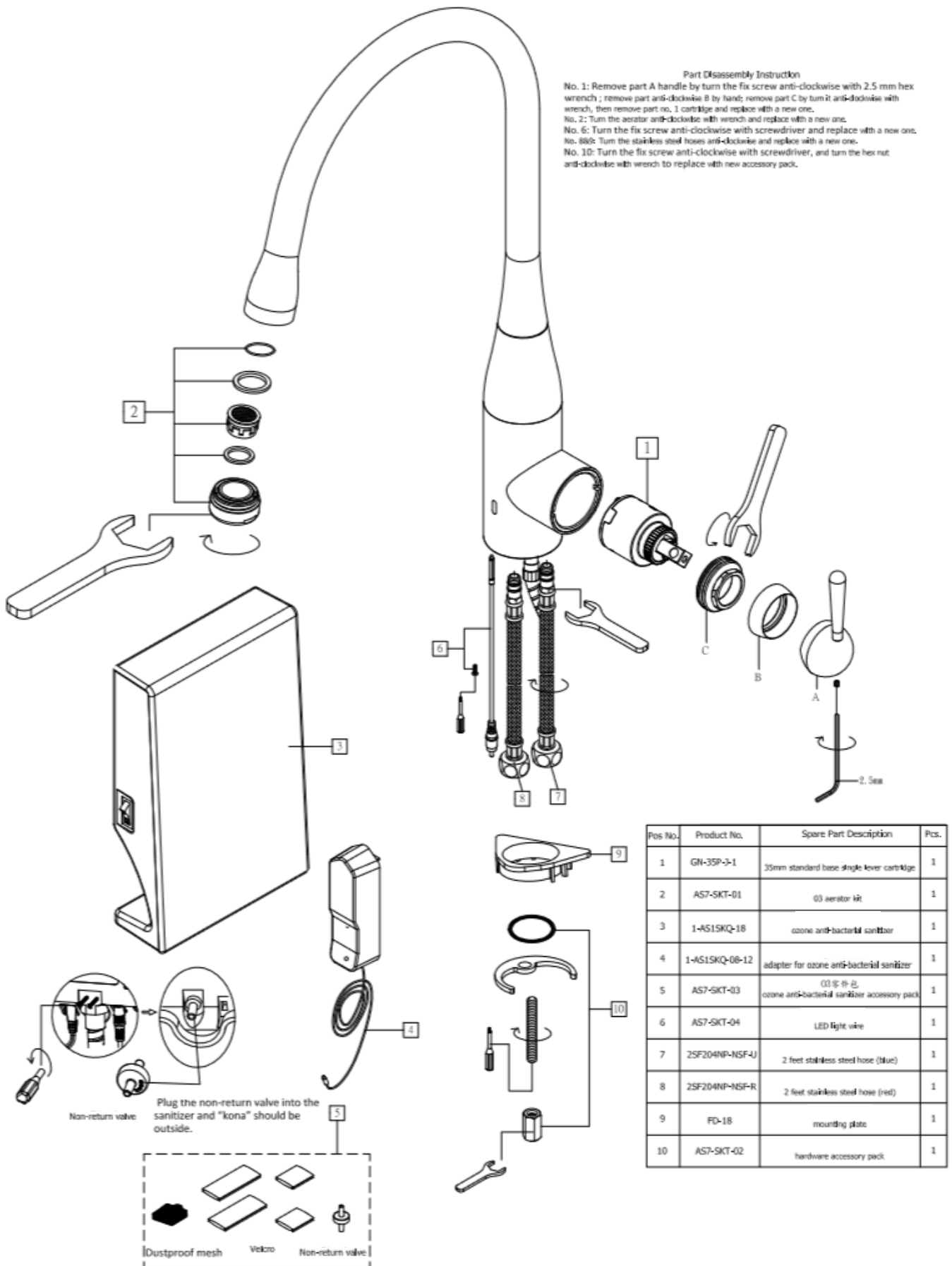


Specified Model & Finish

Model #	Description	Finish
F-SS-OZ-C-101	Ozone 3 Way Single Lever Kitchen Faucet	Polished Chrome
F-SS-OZ-B-101	Ozone 3 Way Single Lever Kitchen Faucet	Brushed

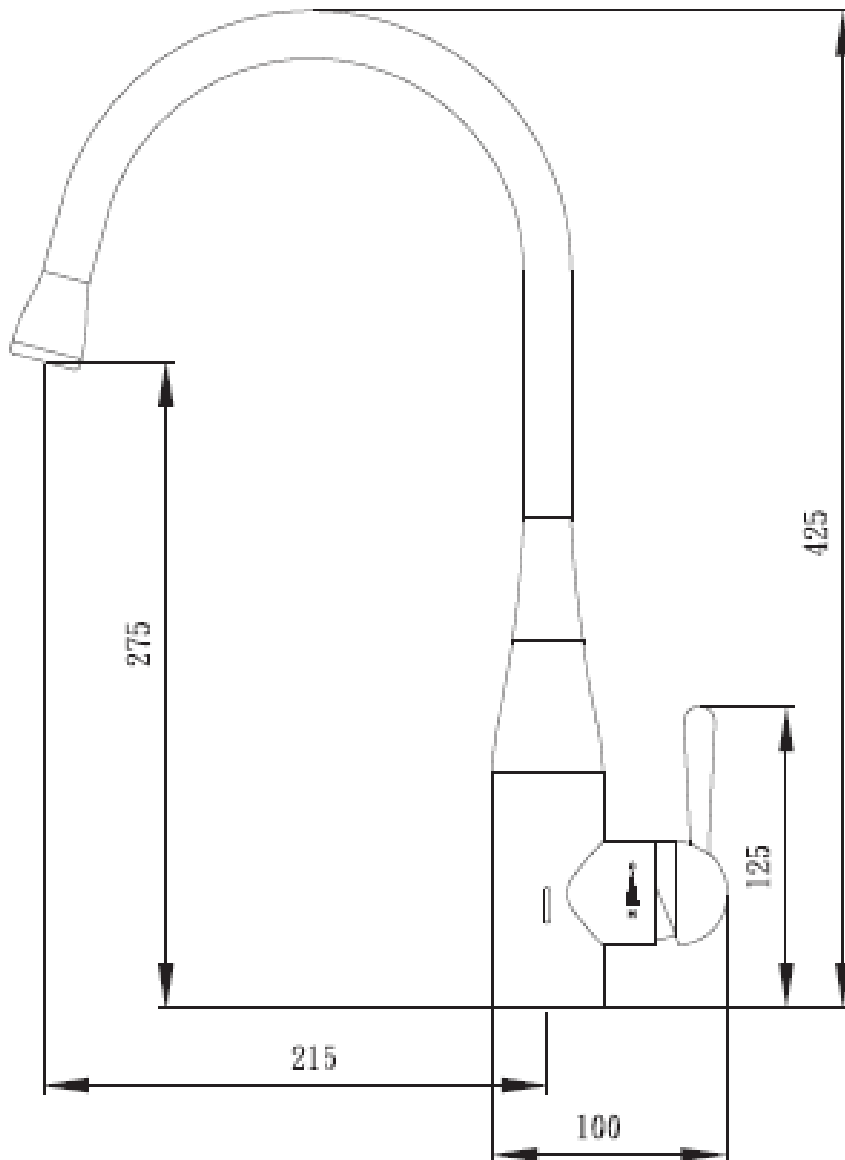
Specified Model & Finish

Model #	Description	Finish
F-SS-OZ-C-101	Ozone 3 Way Single Lever Kitchen Faucet	Polished Chrome
F-SS-OZ-B-101	Ozone 3 Way Single Lever Kitchen Faucet	Brushed



Specified Model & Finish

Model #	Description	Finish
F-SS-OZ-C-101	Ozone 3 Way Single Lever Kitchen Faucet	Polished Chrome
F-SS-OZ-B-101	Ozone 3 Way Single Lever Kitchen Faucet	Brushed



Aqualogic by Lenova

Ozone Faucet

Aqualogic Faucets reserves the right to make modification and specification changes at any time. Please verify dimensions prior to installation.

Aqualogic Product Code : AQ-OZO-KIT-PUSSCH / AQ-OZO-KIT-PUSSBN

Features & Benefits

Ozone Pull Out Kitchen Faucet.

Ozone Faucet delivers point of use Ozone water to destroy bacteria and pesticides.

Elegant timeless style design.

Top quality durable Brass Construction.

Pull Out features patented Ozone Mixing Chamber.

Pull Out easy hold hand spray.

Codes and Standards Applicable:

ANSI A117,1

ASME A112.18.1

CSA B-125

NSF 61/SECTION 9 & ANNEX G

AB1953

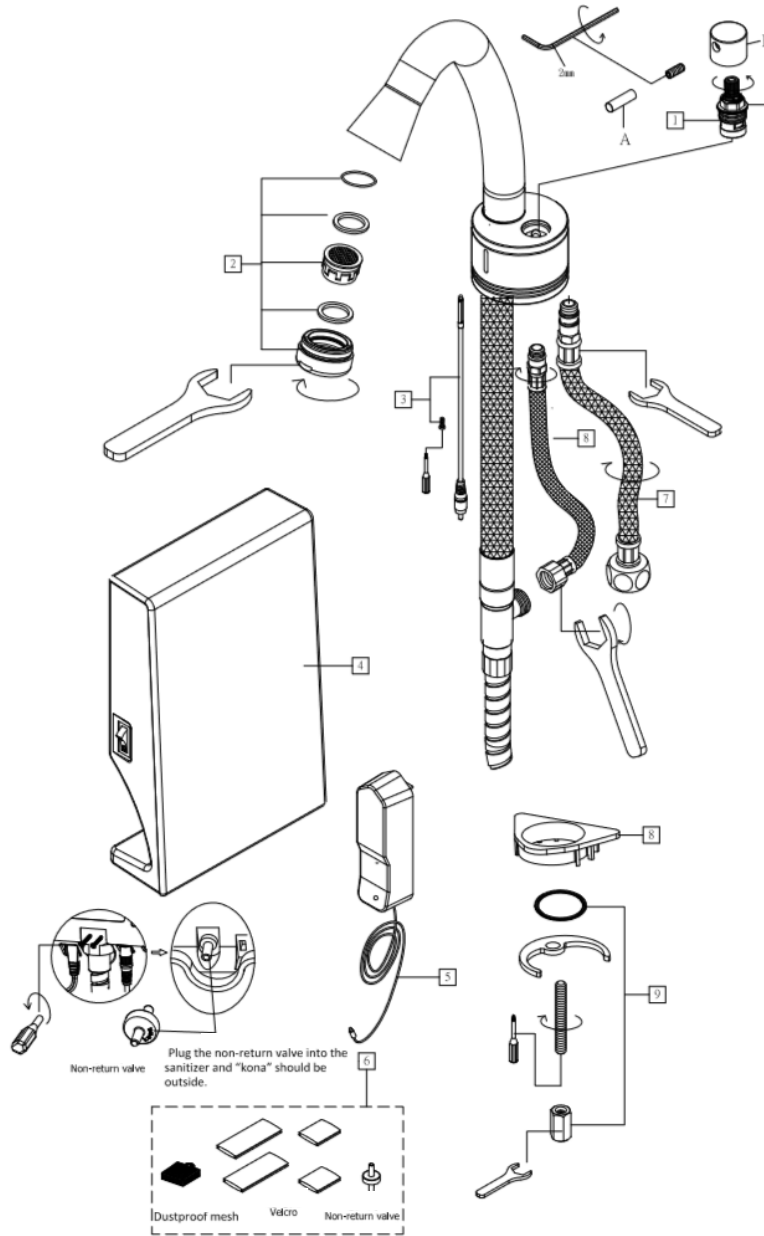


Specified Model & Finish

Model #	Description	Finish
F-SS-OZ-C-PU	Handheld Ozone Side Faucet Cold Water	Polished Chrome
F-SS-OZ-B-PU	Handheld Ozone Side Faucet Cod Water	Brushed

Specified Model & Finish

Model #	Description	Finish
F-SS-OZ-C-PU	Handheld Ozone Side Faucet Cold Water	Polished Chrome
F-SS-OZ-B-PU	Handheld Ozone Side Faucet Cod Water	Brushed



Part Disassembly Instruction
 No. 1: It shall be anti-clockwise direction for each disassembly procedure.
 First, remove part A by spinning by hand and then loosen the screw with 2 mm hex wrench to remove part# B handle.
 Last, disassemble Pos. No. 1 cartridge with a wrench for replacement.
 Installation please follow the backward sequence of the above procedures for clockwise tightening and assembly.
 No. 2: Turn the aerator anti-clockwise with wrench and replace with a new one.
 No. 3: Turn the fix screw anti-clockwise with screwdriver and replace with a new one.
 No. 7: Turn the stainless steel hoses anti-clockwise and replace with a new one.
 No. 9: Turn the fix screw anti-clockwise with screwdriver, and turn the hex nut anti-clockwise with wrench to replace with new accessory pack.

Pos No.	Product No.	Spare Part Description	Pcs.
1	DBE57620C-4M6-000	1/4" ceramic disc cartridge(hot)	1
2	A57-SKT-01	O3 aerator kit	1
3	A57-SKT-04	LED light wire	1
4	1-A51SKQ-18	ozone anti-bacterial sanitizer	1
5	1-A51SKQ-08-12	adapter for ozone anti-bacterial sanitizer	1
6	A57-SKT-03	ozone anti-bacterial sanitizer accessory pack	1
7	2SF204NP-NSF-U	2 feet stainless steel hose (blue)	1
8	2SF301NP-NSF	3 feet stainless steel hose	1
9	FD-18	mounting plate	1
10	A57-SKT-02	hardware accessory pack	1

