

LENOVA

4580 W Roosevelt Rd Hillside, IL 60162 www.Lenovasinks.com Phone: 877-733-1098

**MODEL BT-01PC (Polished Chrome)
BT-02BN (Brushed Nickel)**

SPECIFICATIONS

GENERAL

Fine quality Solid Brass Bottle Trap.

DESIGN FEATURES

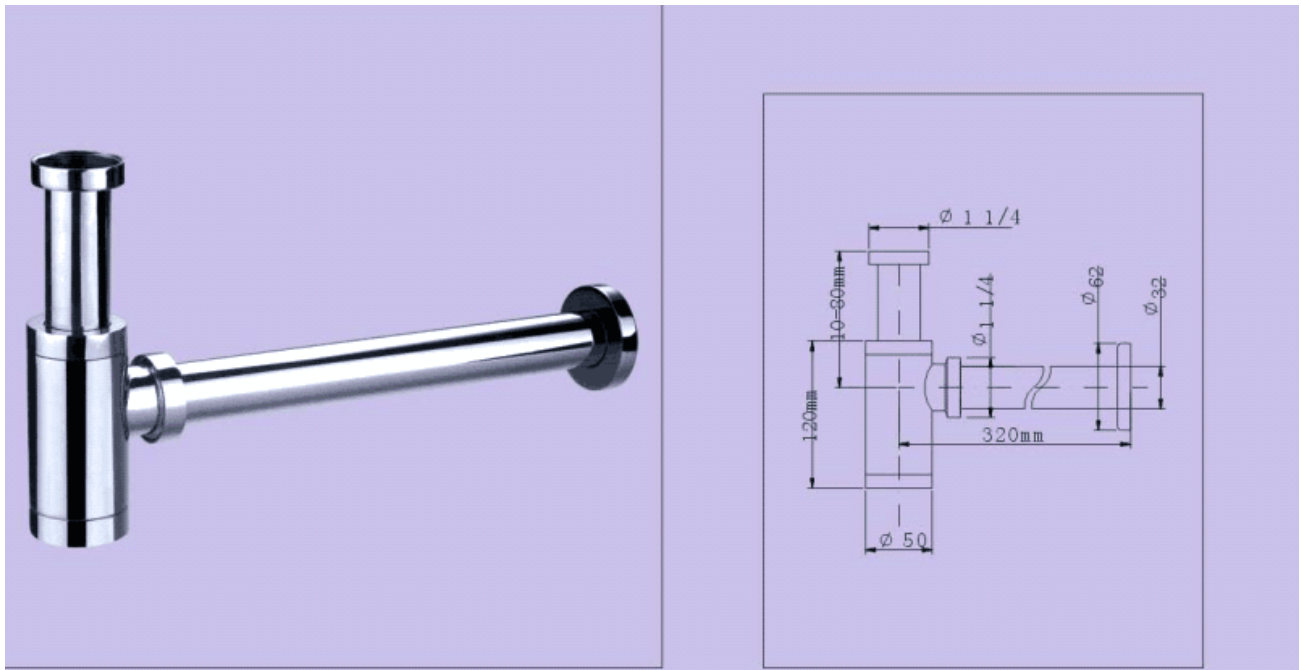
Flexible upper part length: from 10mm to 80mm

Finish:

BT-01PC in Polished Chrome finish.

BT-02BN in Brushed Nickel finish

Size Drawing:



CUPC certified

Product shall be specified as BT-01PC or BT-02BN

Warranty:

Limited Life Time warranty against manufacturer defects and craftsmanship.

Codes/Standards Applicable:

ASME A112.19.3/CSA B45.4

*Template and mounting clips are packed with every sink