

# LENOVA

4580 W Roosevelt Rd Hillside, IL 60162 [www.Lenovasinks.com](http://www.Lenovasinks.com) Phone: 877-733-1098

## SPECIFICATIONS

## MODEL GV-12

### GENERAL

Fine quality hand carved tempered glass vessel sink.

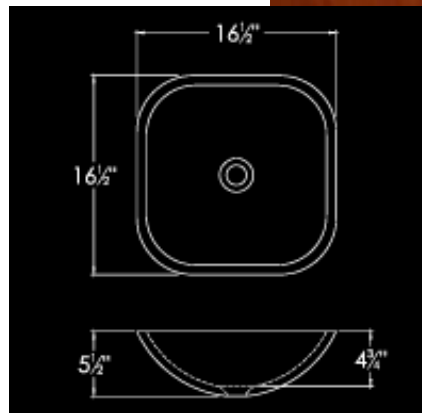
### DESIGN FEATURES

Bowl depth 5-1/2" and over all 16-1/2" Diameter

**Finish:** Beautiful hand carved finish outside.

**Material:** Fine Quality Tempered Glass.

**Other:** Drain opening 1-3/4"



UPC certified.

Product shall be specified as GV-12

### OPTIONAL ACCESSORIES:

Mushroom Pop-Up Sink Drain:

A-SP-05 (Brushed Nickel), A-SP-06 (Polished Chrome), A-SP-04(Oil Rubbed Bronze), A-SP-03 (Antique Bronze)



A-SP-05



A-SP-06



A-SP-04



A-SP-03

19 Holes Grid Sink Drain:

A-SP-21GN (Brushed Nickel), A-SP-20GC (Polished Chrome), A-SP-22GB(Oil Rubbed Bronze)



A-SP-21GN



A-SP-20GC



A-SP-22GB

### Warranty:

Limited life time warranty against manufacturer defects.

### Codes/Standards Applicable:

ASME A112.19.3/CSA B45.4

\*Template and mounting clips are packed with every sink