

# LENOVA

4580 W Roosevelt Rd Hillside, IL 60162 [www.Lenovasinks.com](http://www.Lenovasinks.com) Phone: 877-733-1098

## SPECIFICATIONS

### MODEL

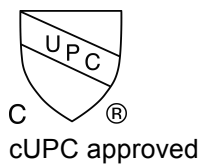
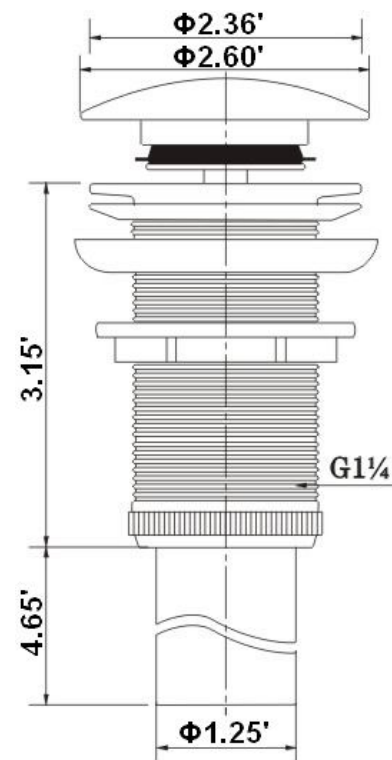
A-SP-06 (Polished Chrome Finish)

A-SP-05 (Brushed Nickel Finish)

A-SP-04 (ORB Finish)

### FEATURES

- \* Solid brass construction
- \* Without overflow hole
- \* Mushroom style pop-up
- \* Round cover



### Warranty:

Limited Life Time warranty against manufacturer defects and craftsmanship