

LENOVA

4580 W Roosevelt Rd Hillside, IL 60162 www.Lenovasinks.com Phone: 877-733-1098

SPECIFICATIONS

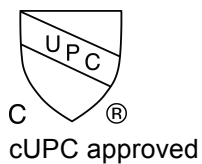
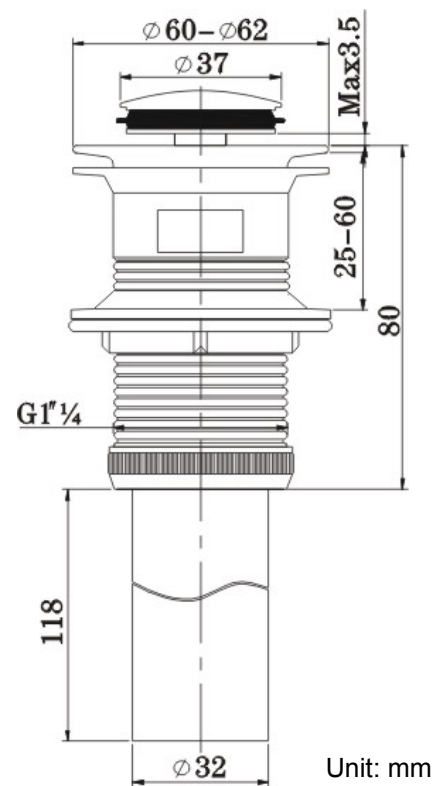
MODEL

A-SP-40PFC (Polished Chrome Finish)

A-SP-41PFN (Brushed Nickel Finish)

FEATURES

- * Solid brass construction
- * With overflow hole
- * Push down style pop-up
- * Round cover



Warranty:

Limited Life Time warranty against manufacturer defects and craftsmanship