
Thermostatic & Pressure Balance Shower System TPS101BN/TPS101PC

Lenova Faucets reserves the right to make modification and specification changes at any time. Please verify dimensions prior to installation.

Specified Model & Finish

| Model # | Description | Finish |
|----------|----------------------------------------------------------|-----------------|
| TPS101PC | Thermostatic & Pressure Balance Shower System | Polished Chrome |
| TPS101BN | Thermostatic & Pressure Balance Shower System | Brushed Nickel |

Our Shower Valve is Unique with Breakthrough Patented Technology

We spent 18 years and \$35 million for this research project.

Combined Function of **Thermostatic** and **Pressure Balance** Shower Valve
The outlet temperature of our valve had only 1 degree tolerance.

Our Material is Solid

All the material is either Solid 304 Stainless Steel or Lead Free Solid Brass.

Only the highest quality material in the industry was used to make our products.

Warranty:

Limitid Life Time Warranty Against Manufacturer Defects.



IAPMO cUPC certified



2

4580 W Roosevelt Rd Hillside, IL 60162 E: order@LenovaSinks.com
Phone: 877-733-1098 www.LenovaSinks.com



Luxury Super Premium Quality All Solid Brass Thermostatic & Pressure Balance Shower System

Features & Benefits:

Thermostatic & Pressure Balance Shower Valve:

1. **Breakthrough Patented Technology:** Combined Thermostatic and Pressure Balance Function into one Valve. The Only One in the world.
2. Triple Function: Control Water Temperature, Volume and Pressure.
3. Best Quality Valve. Second to none. Both Valve and Trim are included in the package.

Shower Head:

1. Double Functions: Square Solid Brass Wall Mount Shower Head with Rainfall and Waterfall functions.
2. Maintain: EzTouch2Clean Soft Rubber Nozzles.

Body Jets:

1. Material: 6 Adjustable Massage Solid Brass Body Water Jets
2. Design: Modern Wall Mounted Concealed Leek Design

Water Volume Control Valve:

4 Super Premium Quality Lead Free Solid Brass Valves

Hand Spray & Holder:

1. Design: Modern Square Design
2. Material: Super Premium Quality Lead Free Solid Brass
3. Maintain: EzTouch2Clean Soft Rubber Nozzles

Flow Rate:

Shower Valve: 9 GPM @ 60PSI

Shower Head: 1.75 GPM @ 60 PSI

Body Jet: 1.75 GPM @ 60 PSI

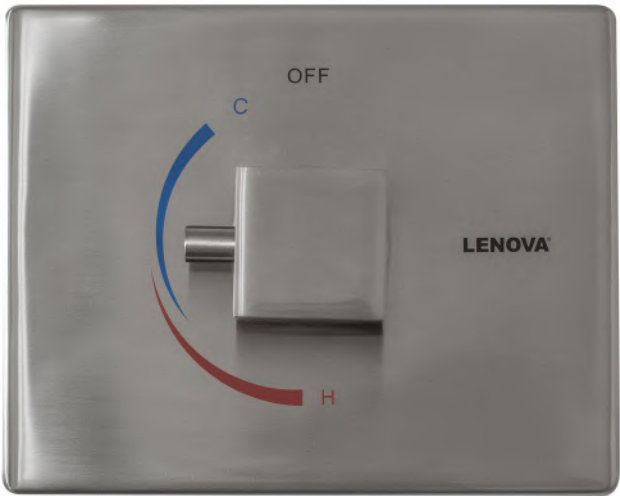
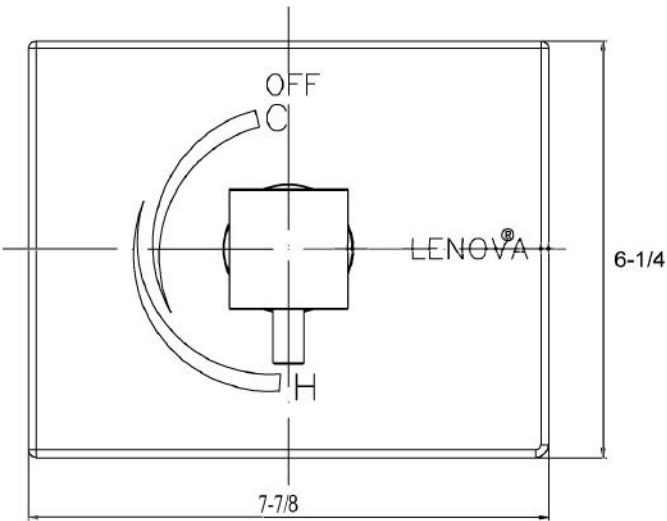
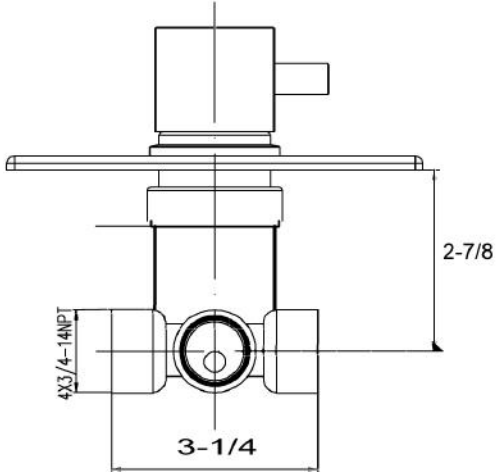
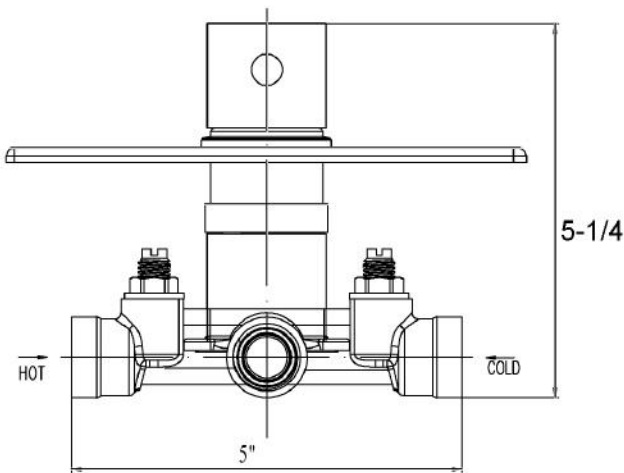
Hand Spray: 1.75 GPM @ 60 PSI



LENOVA[®]

DESIGN INSPIRED BY FUNCTION

Thermostatic & Pressure Balance Valve-Trim

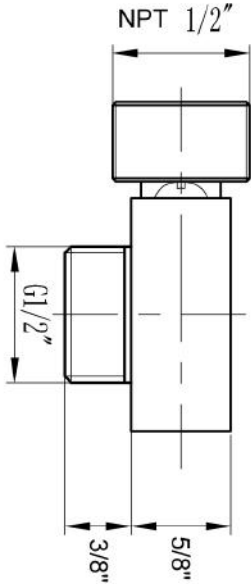
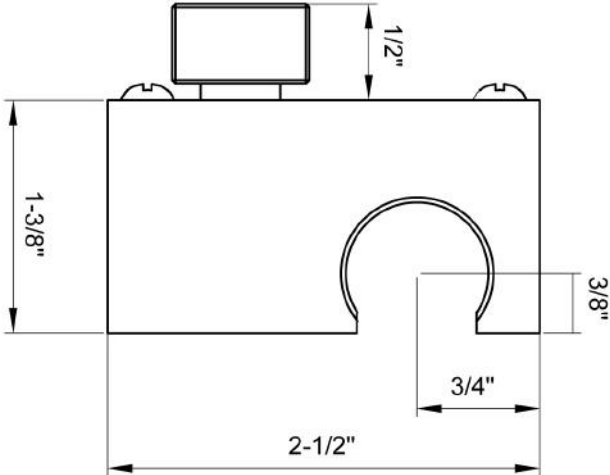
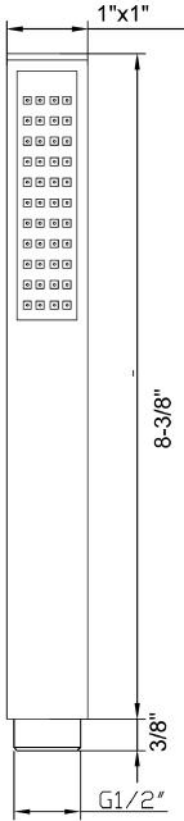


2

4580 W Roosevelt Rd Hillside, IL 60162 E: order@LenovaSinks.com
Phone: 877-733-1098 www.LenovaSinks.com

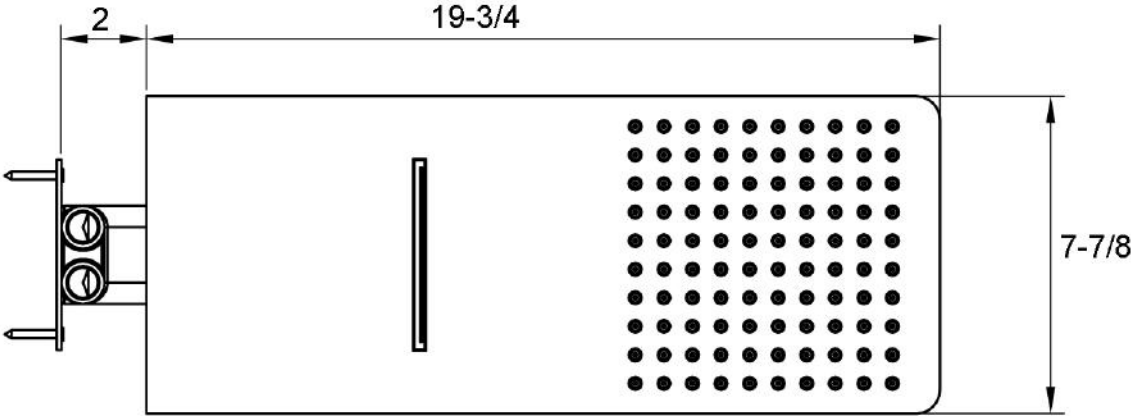
LENOVA®

DESIGN INSPIRED BY FUNCTION



LENOVA®

DESIGN INSPIRED BY FUNCTION



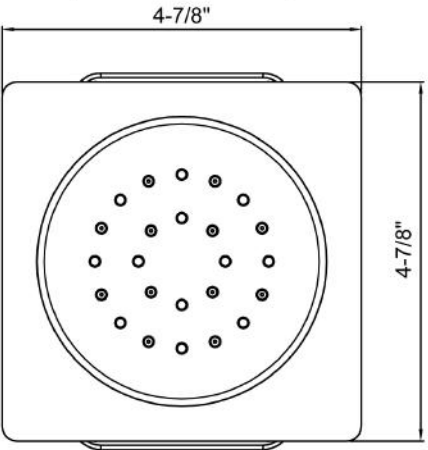
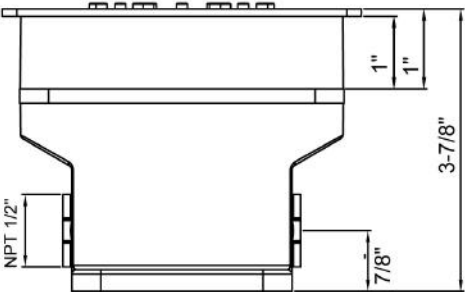
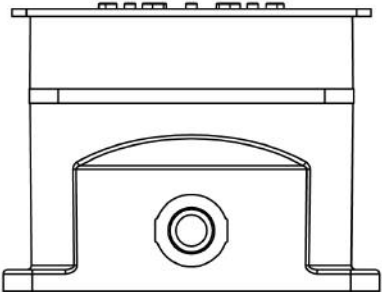
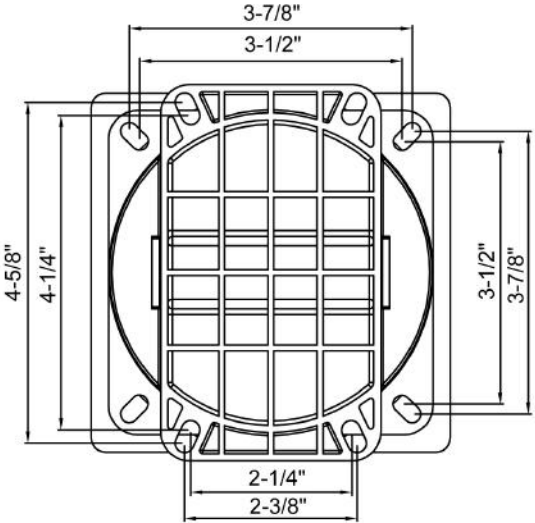
2

4580 W Roosevelt Rd Hillside, IL 60162 E: order@LenovaSinks.com
Phone: 877-733-1098 www.LenovaSinks.com

LENOVA®

DESIGN INSPIRED BY FUNCTION

Adjustable Massage Body Jet



LENOVA®

DESIGN INSPIRED BY FUNCTION

Water Volume Control Valve

